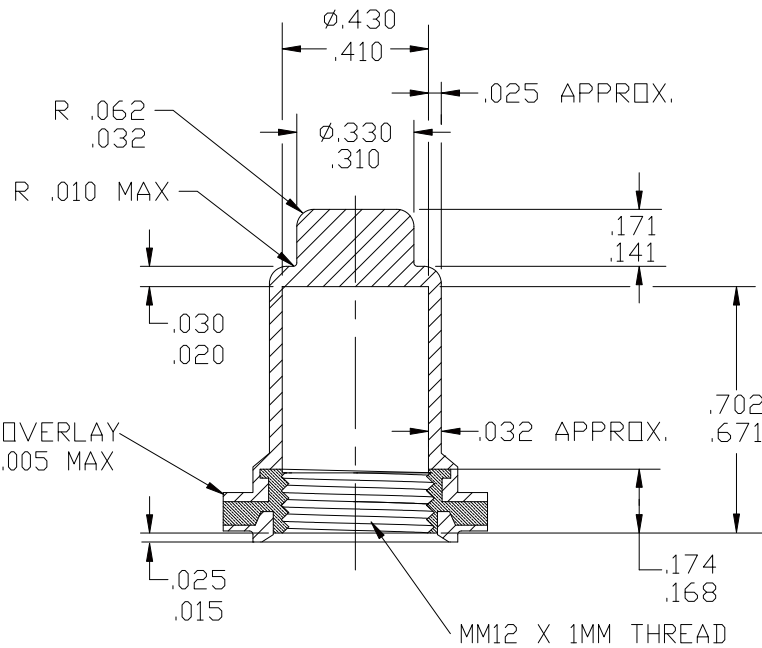
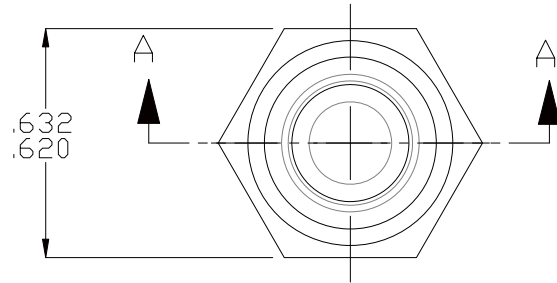
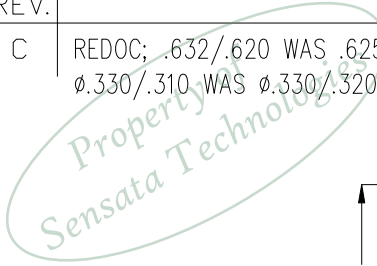



REV.	REVISION DESCRIPTION	ECN NO.	DATE
C	REDOC; .632/.620 WAS .625/.620; .171/.141 WAS .155/.145 .030/.020 WAS .025/.020; ϕ .330/.310 WAS ϕ .330/.320; ADD PERMISSIBLE RUBBER NOTE; PD	ECO-127708	15-MAR-2016



SECTION A-A

14500-4	BOOT- SILICONE RUB-R-GLAS PER SPEC. ZZ-R-765 CLASS III, DUREMETER 50-60 NUT BRASS PER SPEC. QQB626, COMP.22 NICKEL PLATE PER SPEC. QQN290 CLASS II
PART NO.	MATERIAL

FOR REFERENCE ONLY, CHECK LATEST REVISION BEFORE USE. PARTS MADE TO THIS PRINT MUST CONFORM TO E9898 REV. E	
DRAWN R.G.MANZI DATE 08-MAY-1970	SENSATA TECHNOLOGIES PROPRIETARY AND CONFIDENTIAL. NEITHER THIS PRINT NOR THE INFORMATION CONTAINED HEREON IS TO BE USED AGAINST THE INTERESTS OF SENSATA TECHNOLOGIES OR AGAINST THE INTERESTS OF ANY OF ITS AFFILIATED COMPANIES OR WHOLLY OWNED SUBSIDIARIES.
ENGINEER DLE DATE 09-MAY-1970	
APPROVED	INTERPRET DIMENSIONING AND TOLERANCING PER ASME Y14.5-2009. UNLESS OTHERWISE SPECIFIED DIMENSIONS ARE IN INCHES.
DATE APPROVED	TOLERANCES DECIMALS ANGLES
DATE	DO NOT SCALE DRAWING
	THIRD ANGLE PROJECTION



529 PLEASANT STREET
P.O. BOX 2964
ATTLEBORO, MA 02703

TITLE
PUSH BUTTON BOOT

SIZE A	DWG NO. 14500-4	REV. C
SCALE NONE	AUTOCAD	SHEET 1 OF 1

DEVICE: PROJECT: